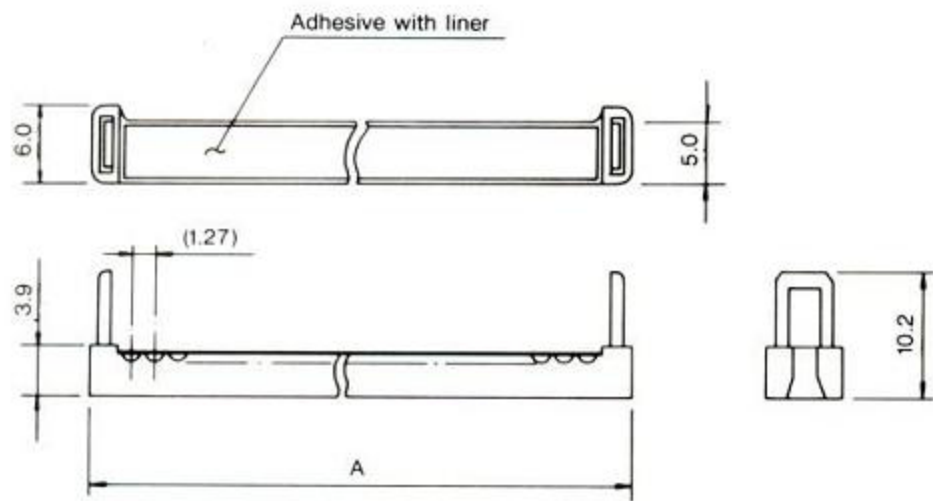
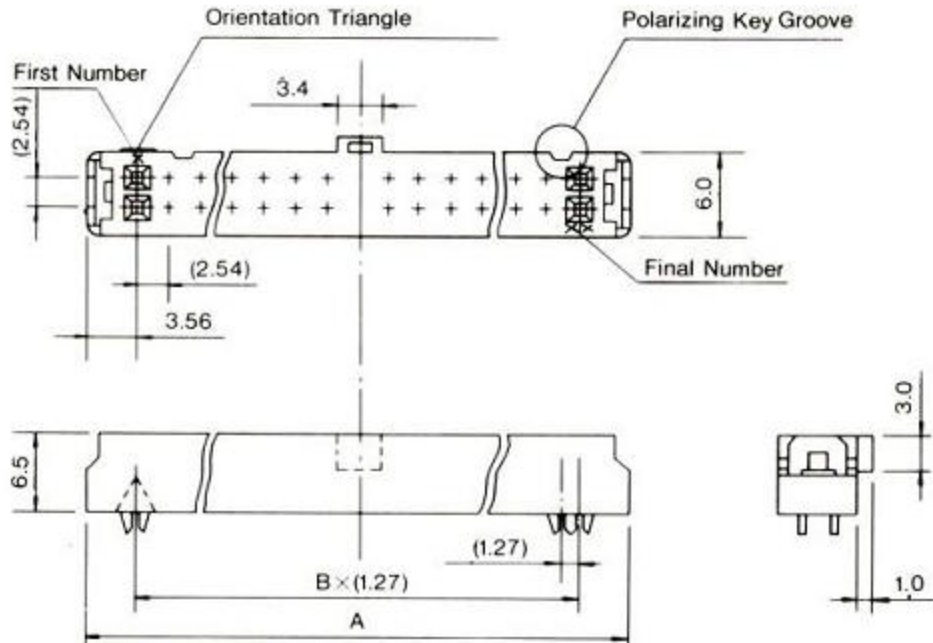


# Socket (79××series)

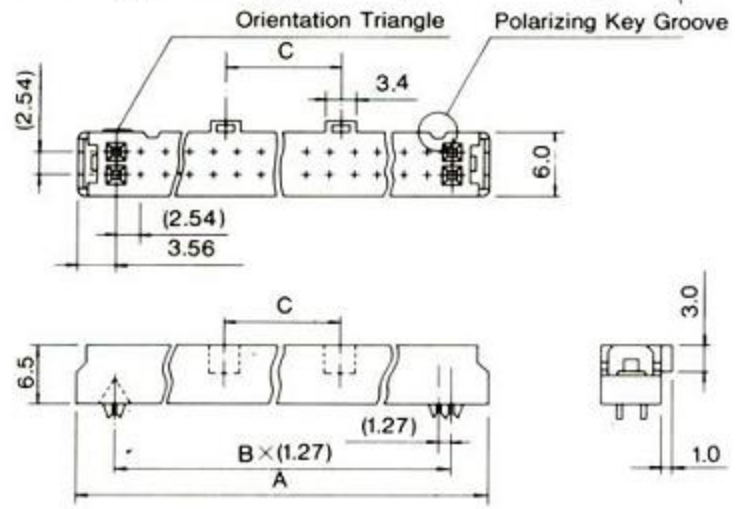
## Cover



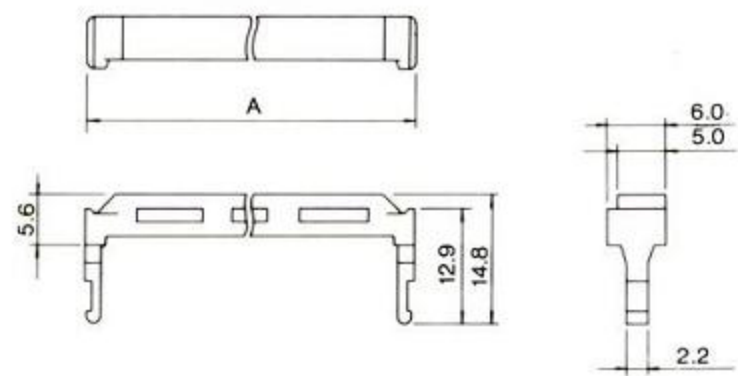
## Body



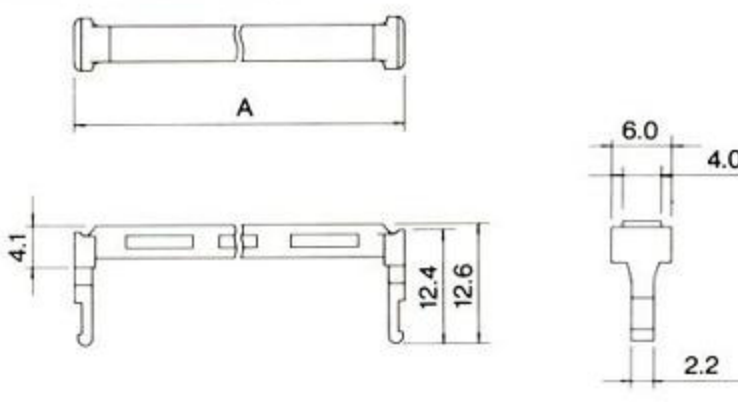
## Dual noses type Body (7950-,7960-only)



## Standard Strain Relief



## Low Profile Strain Relief



Contact QTY	Open End Part Number (No Adhesive)	Open End Part Number (with Adhesive)	Closed End Part Number (No Adhesive)	Mounting	Standard Strain Relief Part Number	Low Profile Strain Relief Part Number	A	B	C	
10	7910-B500○○	7910-6500○○	7910-F500○○	with Center nose	3448-7910	3448-7910LP	17.2	9	—	
14	7914-B500○○	7914-6500○○	7914-F500○○		3448-7914	3448-7914LP	22.3	13	—	
16	7916-B500○○	7916-6500○○	7916-F500○○		3448-7916	3448-7916LP	24.8	15	—	
20	7920-B500○○	7920-6500○○	7920-F500○○		3448-7920	3448-7920LP	29.9	19	—	
26	7926-B500○○	7926-6500○○	7926-F500○○		3448-7926	3448-7926LP	37.5	25	—	
30	7930-B500○○	7930-6500○○	7930-F500○○		3448-7930	3448-7930LP	42.6	29	—	
34	7934-B500○○	7934-6500○○	7934-F500○○		3448-7934	3448-7934LP	47.7	33	—	
40	7940-B500○○	7940-6500○○	7940-F500○○		3448-7940	3448-7940LP	55.3	39	—	
44	7944-B500○○	7944-6500○○	7944-F500○○		3448-7944	3448-7944LP	60.4	43	—	
50	7950-B500○○	7950-6500○○	7950-F500○○		3448-7950	3448-7950LP	68.0	49	—	
60	7960-B500○○	7960-6500○○	7960-F500○○		3448-7960	3448-7960LP	80.7	59	—	
64	7964-B500○○	7964-6500○○	7964-F500○○		3448-7964	3448-7964LP	85.8	63	—	
50	7950-B700○○	7950-6700○○	7950-F700○○		with Dual noses	3448-7950	3448-7950LP	68.0	49	22.9
60	7960-B700○○	7960-6700○○	7960-F700○○			3448-7960	3448-7960LP	80.7	59	27.9