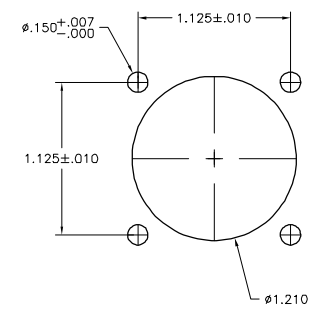
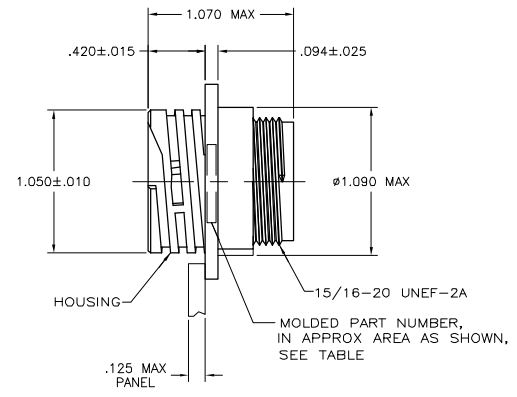
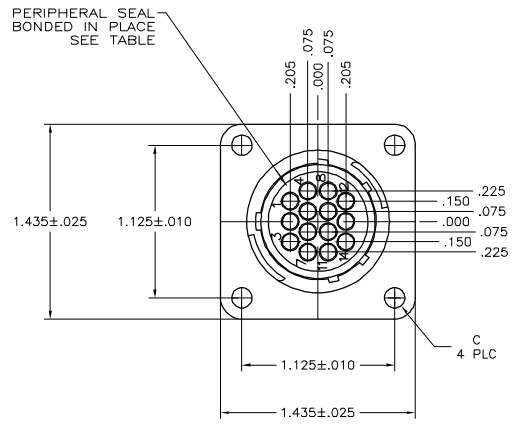
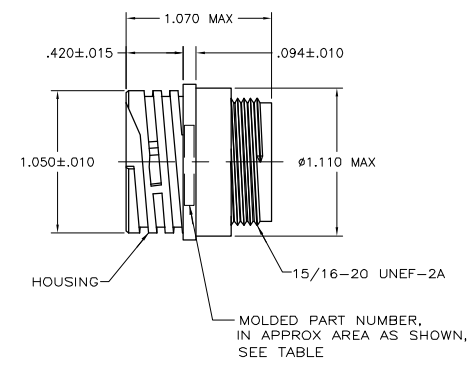
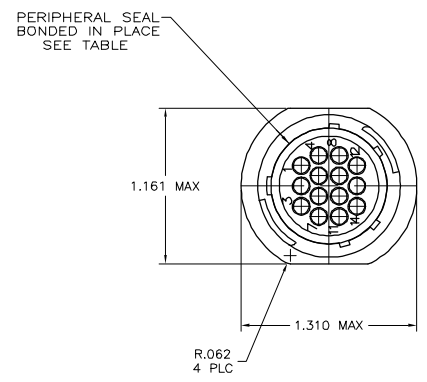


REVISIONS					
#	DATE	BY	CHK	APPD	DESCRIPTION
S	28SEP12	KH	MZ		REVISED PER ECO-12-015521
T	10MAR2017	RS	MZ		REVISED PER ECO-17-000037



DETAIL A



DETAIL B

- 1 CAVITY IDENTIFICATION ON FRONT AND REAR FACE.
- 2 WILL ACCEPT FOURTEEN (14) MULTIMATE SOCKET CONTACTS.

OBSOLETE	4-40 THREADED INSERTS	-	STANDARD	YES	A	206043-8
OBSOLETE	ø.150	-	SMALL PACK	NO	A	206043-6
-	-	-	STANDARD	YES	B	206043-5
-	ø.150	-	STANDARD	YES	A	206043-4
-	-	-	STANDARD	NO	B	206043-3
-	ø.150	206043-1	STANDARD	NO	A	206043-1
	DIM C	MOLDED PART NUMBER	PACKAGING	PERIPHERAL SEAL	SEE DETAIL	PART NO.

THIS DRAWING IS A CONTROLLED DOCUMENT. DIM 08/10/02  
 W. LENKER  
 C. STONE 08/11/03

DATE: 08/10/02  
 BY: W. LENKER  
 CHK: C. STONE

PRODUCT SPEC: 108-10024  
 APPLICATION SPEC: -

MATERIAL: HOUSING: NYLON BLACK  
 FINISH: -

SCALE: 2:1  
 SHEET: 1 of 1  
 REV: -

TE Connectivity  
 RECEPTACLE ASSEMBLY, REVERSE  
 SEX, SERIES 1, 17-14, CPC

SIZE: A1  
 CASE CODE: 100779  
 DRAWING NO: 206043

CUSTOMER DRAWING