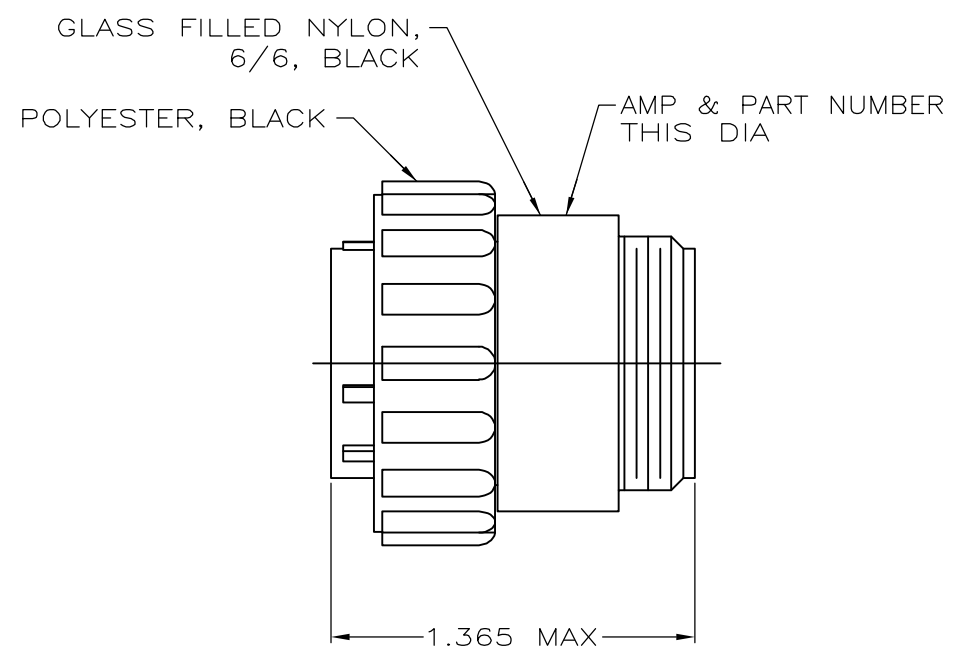
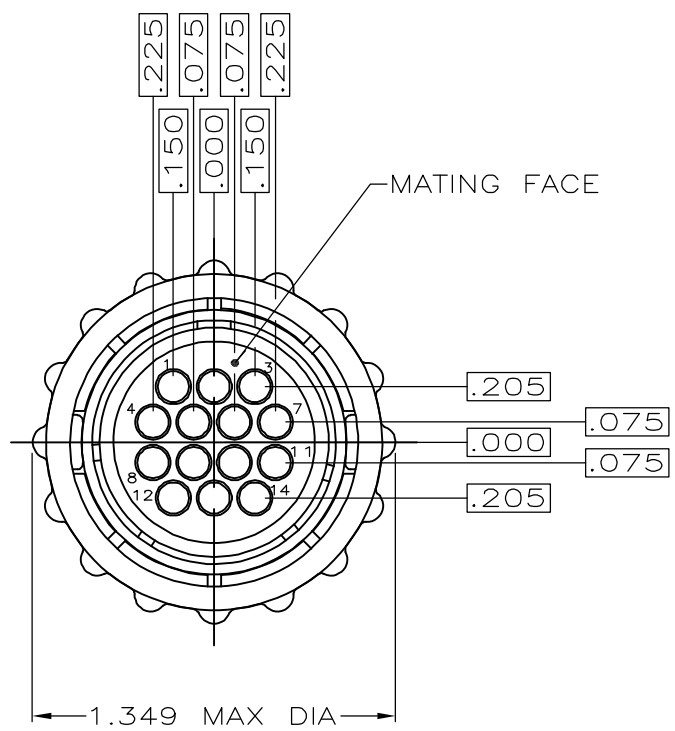


THIS DRAWING IS UNPUBLISHED. RELEASED FOR PUBLICATION  
 © COPYRIGHT - By - ALL RIGHTS RESERVED.

LOC	DIST	REVISIONS					
FT	4	P	LTR	DESCRIPTION	DATE	DWN	APVD
		G1		REVISED PER ECO-11-004587	11MAR11	RK	HMR



- CONTACT CAVITIES IDENTIFIED BY CHARACTERS ON FRONT AND REAR FACE OF CONNECTOR.
- WILL ACCEPT (14) MULTIMATE PIN CONTACTS.

206044-1  
 PART NUMBER

THIS DRAWING IS A CONTROLLED DOCUMENT.		DWN	S. RIDGLEY	BG	7/31/90	TE Connectivity	
DIMENSIONS: INCHES		CHK	R. STONE		04/26/91		
		TOLERANCES UNLESS OTHERWISE SPECIFIED:		APVD		K. BEAVER	
0 PLC ± - 1 PLC ± - 2 PLC ± - 3 PLC ± - 4 FLC ± - ANGLES ± -		MATERIAL		PRODUCT SPEC		APPLICATION SPEC	
SEE CALLOUTS		FINISH		WEIGHT		RESTRICTED TO	
				-		SIZE	
				-		CAGE CODE	
				-		DRAWING NO	
				-		A3 00779 C=206044	
				-		SCALE	
				-		2:1	
				-		SHEET	
				-		1 OF 1	
				-		REV	
				-		G1	
				-		CUSTOMER DRAWING	